

NAFLIC

National Association For Leisure Industry Certification

Standards & Related Documents Committee

TECHNICAL BULLETIN — June 2016

408. Zamperla Disc 'O modification

Zamperla has issued a service bulletin relating to the Disc 'O range of rides. This pertains to a modification to the guide wheel assembly and the addition of a washer, as per the accompanying document.

The information contained within is that of the manufacturer and not NAFLIC. When following the advice from the manufacturer, you are reminded of your duties and responsibilities under HSG175 regarding modifications.

Committee Members: Mr. D Dadswell (Chairman), Mr. A Mellor (Secretary), Mr. P Smith, Mr. J Green,
Mr. D Cox, Mr. M Thirkettle, Mr. I Davies, Mr. J Shilling & Mr. D Inman

Ride distributed by:
 Zamperla, Inc.
 49 Fanny Road
 Boonton, New Jersey 07005
 USA
 Phone: 973 334 8133 Fax: 973 334 6880



Bulletin No: 2015-FB-FD-MX 01
Release Date: February 1, 2016
Effective Date: February 1, 2016
Supersedes:
Completion Date: Before 2016 season
Page: 1 of 3

SERVICE BULLETIN

Ride Manufacturer: A. Zamperla SpA	Affected Production Dates: 2001 and after
Ride Name: Disk'ò	Affected Serial Nos.: All
Model Number: Disk'ò 16/24, Mega Disk'ò 24, Mega Disk'ò 40, Disk'ò & Skater Coasters	

Abstract Of Issue:
 Modification to guide wheel assembly.

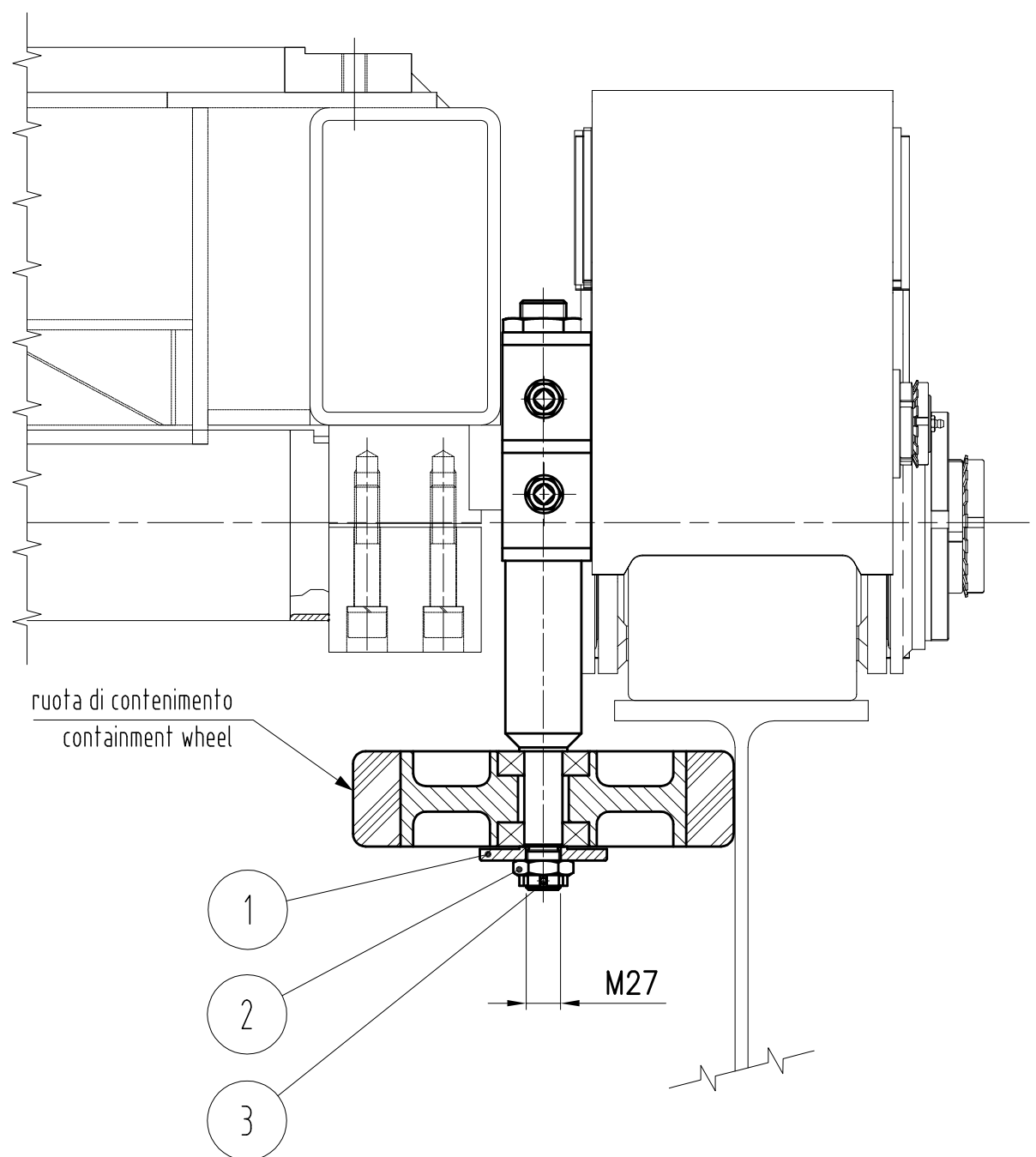
Reason For Release:
 Addition of redundancy for fastening the guide wheel.

Action To Be Taken:
 Place order of parts per part numbers (p/n) 9460003112A, 1070880 and 0050152.
 Install parts per attached assembly drawing 9460003113A Anti-Sliding Washer Assembly.
 Insert attached drawing 9460003113A into ride maintenance documentation.

Detail Of Issue:
 See attached drawings 9460003112A and 9460003113A

Future Action To Be Taken:
 Inspect area weekly when verifying the side wheels have contact to the web of the I-beam of the track.

Synonyms: Guide wheel, side wheel, containment wheel.



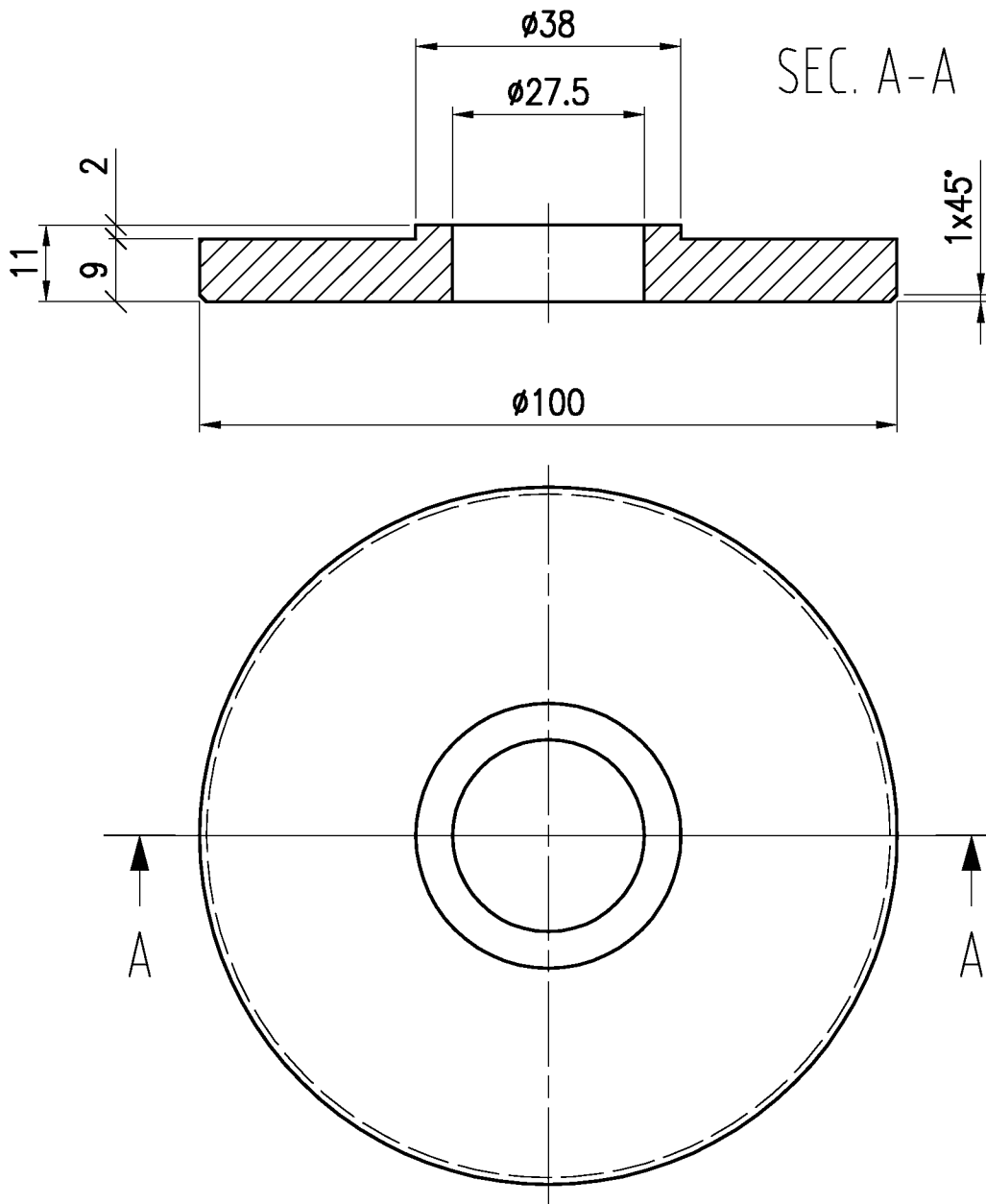
Pos	Q.ty	CODE	DESCRIPTION	Material	Mass
3	4	0050152	COPIGLIA D.5X50 UNI1336 - DIN94 SPLIT PIN D.5X50 UNI1336 - DIN94		
2	4	1070880	DADO AD INTAGLI BASSO M27 UNI 5594 - DIN937 THIN CASTLE HEX NUT M27 UNI5594 - DIN937		
1	4	9460003112A	RONDELLA ANTISFILAMENTO RUOTA CONTENIMENTO ANTI-SLIDING WASHER		

ZAMPERLA®
Via Monte Grappa, 15-17 - 36077 ALTAVILLA VICENTINA (VI) - ITALIA
TEL. +39.0444.998400 - FAX. +39.0444.573720
E-MAIL: zamperla@zamperla.it - http://www.zamperla.com

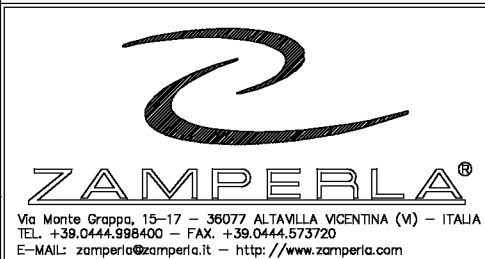
A TERMINI DI LEGGE LA ZAMPERLA S.p.A. CONSIDERA QUESTO DOCUMENTO COME SEGRETO AZIENDALE CON DIVIETO PER CHIUNQUE DI RIPRODURLO E/O DI RENDERLO COMUNQUE NOTO, IN TUTTO O IN PARTE, A TERZI, OVVERO A DITTE CONCORRENTI, SENZA SPECIFICA AUTORIZZAZIONE SCRITTA DELLA DIREZIONE ZAMPERLA. THIS DOCUMENT CONTAINS COPYRIGHTED MATERIAL AND CONFIDENTIAL TRADE SECRET INFORMATION WHICH IS THE EXCLUSIVE PROPERTY OF ZAMPERLA S.p.A. USE, DISCLOSURE DISSEMINATION OR DUPLICATION OF ANY OF THE INFORMATION CONTAINED HEREIN WITHOUT SPECIFIC WRITTEN AUTHORIZATION FROM ZAMPERLA S.p.A. MAY RESULT IN LIABILITY UNDER APPLICABLE LAW.

Data Date	20/11/2015		
Firma Signature	MASSIGNANI E.		
Disegnato / Drawn	Controllato / Checked	Approvato / Approved	

Macchina: Assembly machine:	DISK'O'	QUOTE SENZA TOLLERANZE SPECIFICHE: CARPENTERIA: EN ISO 13920 Cl. A-E LAVORAZIONI MECCANICHE: EN 22768 Cl. m-k DIMENSIONI SENZA TOLLERANZE SPECIFICHE: STEEL STRUCTURE: EN ISO 13920 Cl. A-E MACHININGS: EN 22768 Cl. m-k	SIMBOLI SALDATURE SECONDO EN 22553 WELDING SYMBOLS ACCORDING TO EN 22553 PREPARAZIONI DEI LEMBI DA SALDARE SECONDO ISO 9692 JOINT PREPARATIONS TO WELD ACCORDING TO ISO 9692
Gruppo: Unit:	CARRELLO TROLLEY		
Denominazione: Name:	SCHEMA MONT. RONDELLA ANTISFILAM. ANTI-SLIDING WASHER ASSEMBLY	Material: Material:	Massa Kg: Weight Kg:
N° disegno: Drawing Nr:	9460003113A	Mod. Mod.	Foglio: Sheet: 1/1
			Scala: Scale: 1:5
			Proiezione: Projection:
			Formato: Format: A3



ESEGUIRE ZINCATURA ELETTROLITICA Fe/Zn8 (EN ISO 2081)
 COATED BY ZINC ELECTROPLATING Fe/Zn8 (EN ISO 2081)



A TERMINI DI LEGGE LA ZAMPERLA S.p.A. CONSIDERA QUESTO DOCUMENTO COME SEGRETO AZIENDALE CON DIVIETO PER CHIUNQUE DI RIPRODURLO E/O DI RENDERLO COMUNQUE NOTO, IN TUTTO O IN PARTE, A TERZI, OVVERO A DITTE CONCORRENTI, SENZA SPECIFICA AUTORIZZAZIONE SCRITTA DELLA DIREZIONE ZAMPERLA. THIS DOCUMENT CONTAINS COPYRIGHTED MATERIAL AND CONFIDENTIAL TRADE SECRET INFORMATION WHICH IS THE EXCLUSIVE PROPERTY OF ZAMPERLA S.p.A. USE, DISCLOSURE DISSEMINATION OR DUPLICATION OF ANY OF THE INFORMATION CONTAINED HEREIN WITHOUT SPECIFIC WRITTEN AUTHORIZATION FROM ZAMPERLA S.p.A. MAY RESULT IN LIABILITY UNDER APPLICABLE LAW.

Data Date	09/09/2015		
Firma Signature	MASSIGNANI E.		
	Disegnato / Drawn	Controllato / Checked	Approvato / Approved

Macchina: Assembly machine:	DISK'O'	QUOTE SENZA TOLLERANZE SPECIFICHE: CARPENTERIA: EN ISO 13920 CL. A-E LAVORAZIONI MECCANICHE: EN 22768 CL. m-k	SIMBOLI SALDATURE SECONDO EN 22553 WELDING SYMBOLS ACCORDING TO EN 22553
Gruppo: Unit:	CARRELLO TROLLEY	DIMENSIONI SENZA TOLLERANZE SPECIFICHE: STEEL STRUCTURE: EN ISO 13920 CL. A-E MACHININGS: EN 22768 CL. m-k	PREPARAZIONI DEI LEMBI DA SALDARE SECONDO ISO 9692 JOINT PREPARATIONS TO WELD ACCORDING TO ISO 9692
Denominazione: Name:	RONDELLA ANTISFILAM. RUOTA CONTEN. WHEEL ANTI-SLIDING WASHER	Materiale: S235 JR EN 10025	Massa Kg: Weight Kg:
N° disegno: Drawing Nr:	9460003112A	Mod. Mod.	Foglio: 1/1 Scala: 1:1 Proiezione: Formato: A4